



Control Panel (Logic 50)

TYPE: Using State-of-the-art Microprocessor for reliable control and encased in weather resistant casing.

Power Supply : 230VAC, 5Amps, 50 Hz. Power supply is step down 24V direct current to operate control panel, receiver, motors and electric lock.

- Dual speed gate control
- Automatic lighting control
- One gate-leaf operation available
- Half-way-stop operation available
- Battery backup with charger (optional)
- Select time delay of Motor 2 during Closing sequence
- Select total time of Opening or Closing sequence



Actuator Arm & Bracket



Patent No. : PI - 20024862
Solenoid Lock with Lock Keeper



Colour Available
■ Black
■ Green
Transmitter and Receiver



Authorized Dealer:

www.ealarm.com.my

Specifications are subject to change without prior notice.

aprigate®



SWING GATE AUTOMATIC SYSTEM

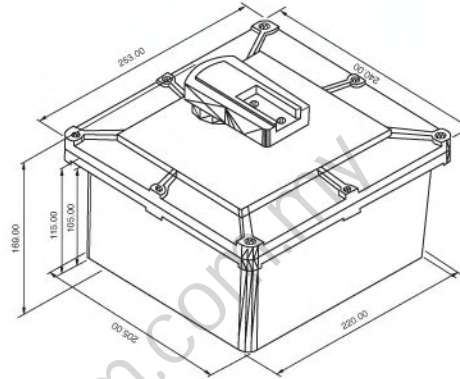
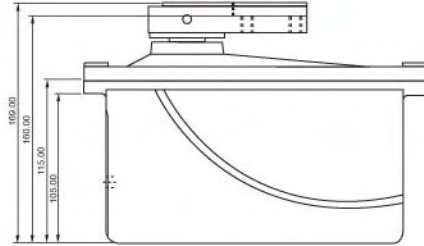
Make Your Home More Secure with Aprigate Autogate System



Concealed underground, the Aprigate ECO operator will not alter the gate appearance in any way. The working mechanism of Aprigate ECO operators is powered by electro-mechanical motor and gears without any hydraulics, pneumatics or valves resulting in smooth and whisper quiet gate operation in both directions.

Aprigate ECO incorporates an adjustable friction clutch as a safety feature to its operators that suspend the motion of the gates when met with an obstruction. In the event of a power failure the gates can easily be pushed by hand because of an inherent reversible clutch system of Aprigate ECO operators.

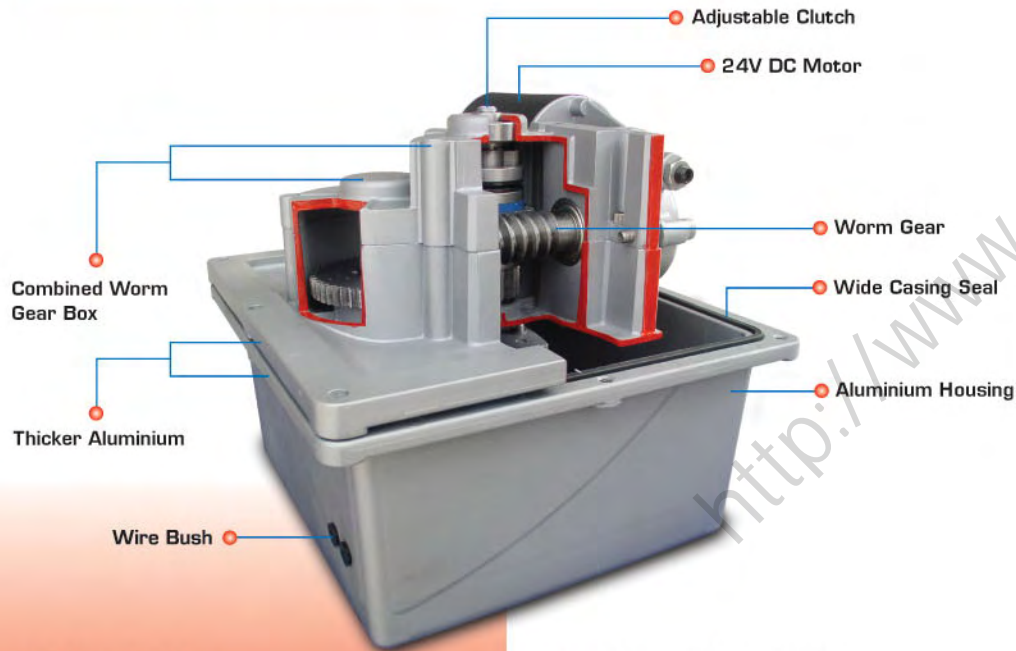
Dimensions



Specifications

Operating Voltage	24VDC
Current Consumption (No Load)	1.5Amp
Motor Speed	4500 r.p.m.
Motor Output Power	25W
Motor Torque (Kg-Cm)	2.0
Static Gate Weight	250 kg
Main Shaft Torque (Kg-Cm)	175
Gear Box Housing	High impact die-cast aluminium
Gear Box Lubrication	Superior Lithium Complex Grease
Gear Box	High impact die-cast aluminium machined precision
Clutch	Adjustable double clutch-steel with surface treatment with self-lubrication fitted with spring
Sealing Element	Sealing lips with spring at shaft
Gasket Material	Nit rile rubber (NBR)
Shaft Rotation Angle	360°
Foundation Casing Material	Die-cast aluminium
Rotation Speed At 120°	8 sec

Section Aprigate Swing Gate Operator



- Thicker aluminium
- Brass gear
- Stainless steel screw
- Designed with completed waterproof

Patent No. : MY - 112700-A

Motor Installation

