



# WING 302

COMPACT AND STRONG

WING 302, the electromechanical ram **reliable** and **powerful** over time.

The electromechanical automation

does **not require** periodic **maintenance** or internal adjustments.

The installation, **easy and fast**,

does not cause any modification

to the gate structure.



RANGE

# WING 302

### For leaves up to 2 m

**WING 302:** operator stroke 390, 230V ac, self-locking.

**WING 303:** operator stroke 390 with limit-switch in opening cycle, 230V ac, self-locking.

### For leaves up to 2,5 m \*

**WING 302R:** operator stroke 390, 230V ac, not self-locking.

**WING 303R:** operator stroke 390 with limit-switch in opening cycle, 230V ac, not self-locking.

\* always use with electric lock.

### For leaves up to 3,5 m

**WING 302L:** operator with extension, 230V ac, self-locking.

**WING 303L:** operator with extension and limit-switch in opening cycle, 230V ac, self-locking.

**WING 302RL:** operator with extension, 230V ac, not self-locking.

**WING 303RL:** operator with extension and limit-switch in opening cycle, 230V ac, not self-locking

### For solutions in low voltage\*

**WING 302/24:** operator stroke 390, 24V dc, self-locking, for leaves up to 2 m.

**WING 302/24L:** operator with extension, 24V dc, self-locking, for leaves up to 3,5 m.

\*the automation in 24V dc enables programmable limit switches and the final slow-down in opening and closing; moreover a battery backup system enables the operation in case of power failure.

The DEA System **control boards** are planned to optimize the performances of Wing 302 range.

It is suggested to use control boards with electronic force adjustment: 202E/3 (230V ac) or 224/2 (24V dc).

## The models

- Electromechanical automation, 230V ac and 24V dc.
- Suitable for leaves up to 2 m or 3,5 m long.
- Easy to install.
- Simple unlocking system by key.
- Limit-switch in opening (optional).
- Extension for use on longer leaves (optional).
- Quick and silent.
- Grease soaked gear motor.
- Incorporated condenser.

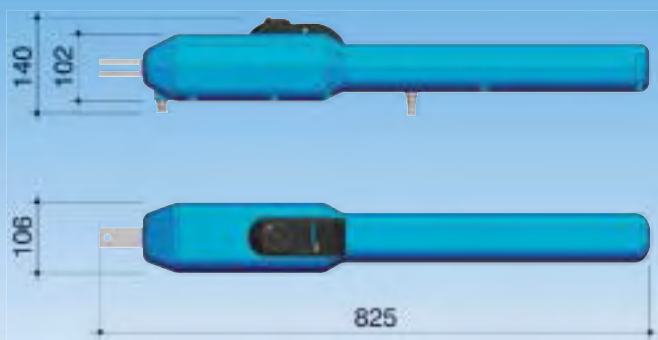


Simple unlocking system by key.



Completely metal mechanics, with limit-switch simple to adjust.

# KIT



**IDEAKIT 302/I**  
Complete automation  
with DEA original accessories.

## Technical information

Model	302-302L	302R	302/24
Power supply (V) (50/60 Hz)	230 AC	230 AC	230 AC
Motor power supply (V)	230 AC	230 AC	24 DC
Capacity (W)	300	300	110
Condenser incorporated (uF)	8	10	-
Protection level (IP)	44	44	44
Stroke (mm)	390	390	390
Max torque (Nm)	2200	2000	2000
Operating temperature (°C)	- 20 ÷ + 60	- 20 ÷ + 60	- 20 ÷ + 60
Motor thermal protection (°C)	150	150	-
Duty cycle (%)	30	30	70
Opening time (sec. 90°)	20	17	20
Weight with packing (kg)	8,6	8,6	8,6

